



Two adjustable 13W LED floodlights. Equivalent to 2x75W BR30/halogen/wide floods. Comes with sensor with 180° detection pattern at up to 30 ft.

Color: Bronze

Weight: 3.1 lbs

<b>Project:</b>	<b>Type:</b>
<b>Prepared By:</b>	<b>Date:</b>

Driver Info		LED Info	
Type	Constant Current	Watts	26W
120V	0.22A	Color Temp	3000K (Warm)
208V	N/A	Color Accuracy	83 CRI
240V	N/A	L70 Lifespan	60,000 Hours
277V	N/A	Lumens	2,090
Input Watts	26.6W	Efficacy	78.6 lm/W

**Technical Specifications**

**Compliance**

**UL Listed:**

Suitable for wet locations. Suitable for mounting within 4 feet of the ground.

**IESNA LM-79 & LM-80 Testing:**

RAB LED luminaires and LED components have been tested by an independent laboratory in accordance with IESNA LM-79 and LM-80.

**Optical**

**NEMA Type:**

6H x 6V Beam Spread

**Construction**

**Cold Weather Starting:**

The minimum starting temperature is -40°C (-40°F)

**Maximum Ambient Temperature:**

Suitable for use in up to 40°C (104°F)

**Housing:**

Precision die-cast aluminum housing, lens frame and mounting arm

**Reflector:**

Vacuum-metallized polycarbonate

**Lens:**

Diffused glass for smooth, even light distribution

**Mounting:**

Pre-Assembled and wired for easy mounting EZ Hang hook. Compatible with round and rectangular surface mount boxes as well as recessed boxes.

**Gaskets:**

High-temperature silicone gaskets

**Finish:**

Our environmentally friendly polyester powder coatings are formulated for high-durability and long-lasting color

**Green Technology:**

Mercury and UV free. RoHS-compliant components.

**Electrical**

**Driver:**

120V driver, 50/60/ Hz, 0.22A, 228mA

**THD:**

11.5% at 120V

**Technical Specifications (continued)**

**Electrical**

**Power Factor:**

99.3% at 120V

**Note:**

All values are typical (tolerance +/- 10%)

**Voltage:**

120VAC, 60Hz

**LED Characteristics**

**LEDs:**

Long-life, high-efficacy, surface-mount LEDs

**Color Uniformity:**

RAB's range of Correlated Color Temperature follows the guidelines of the American National Standard for Specifications for the Chromaticity of Solid State Lighting (SSL) Products, ANSI C78.377-2017.

**Other**

**Equivalency:**

2x75W PAR30

**5 Yr Limited Warranty:**

Fixture operation and paint finish are covered for a period of 5-years. [See our full warranty here.](#)

**Buy American Act Compliance:**

RAB values USA manufacturing! Upon request, RAB may be able to manufacture this product to be compliant with the Buy American Act (BAA). Please contact customer service to request a quote for the product to be made BAA compliant.

**Sensor Specifications**

**Switching Capacity:**

500 Watts of LED LESLIE 13W floods

**Sensor Power Consumption (when idle):**

1 Watt

**Time Adjustment:**

5 seconds to 15 minutes

**Sensor LED:**

Sensor indicator LED glows red day & night for "on guard" deterrence

**Surge Protection:**

Withstands up to 3000 Volts

**"No Hands" Auto Testing:**

Auto mode starts after 4 minutes of testing. No adjustment needed.

**Manual Override:**

Double flip wall switch logic prevents activation by momentary power outages. Override resets to auto at dawn. No extra wiring needed.

**RF Immunity:**

Circuits fully shielded for maximum radio frequency immunity

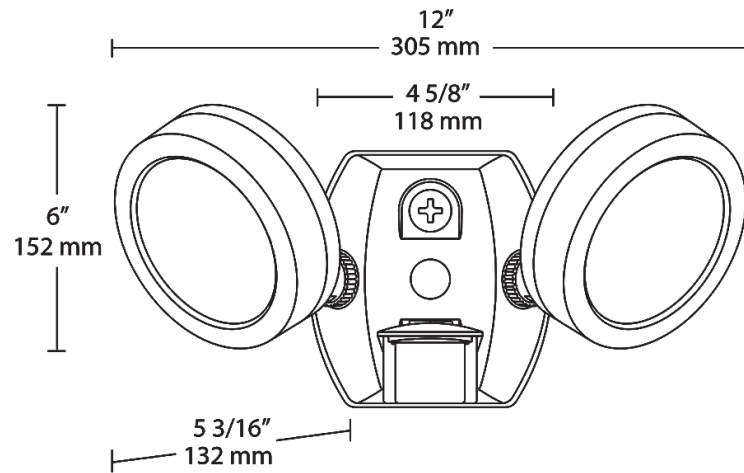
**Photoelectric Control:**

Deactivates lights during daylight. Fully adjustable for 24-hour operation or custom applications.

**Adjustments:**

Time, ambient light & sensitivity

**Dimensions**



**Features**

- Equivalent to two 75W halogen BR30 wide floods
- 6H x 6V beam distribution delivers ample light
- Diffused lens for smooth, even light distribution
- Adjustable knuckle
- Sensor with 180° detection pattern at up to 30 ft.
- 60,000-Hour LED lifespan

## Ordering Matrix

Family	Wattage	Color Temp	Finish
SMSLES	2X13	Y	

**2X13** = 2 x 13W    **Blank** = 5000K Cool  
**N** = 4000K Neutral    **Blank** = Bronze  
**Y** = 3000K Warm        **W** = White

<sup>1</sup> Not available with sensor.